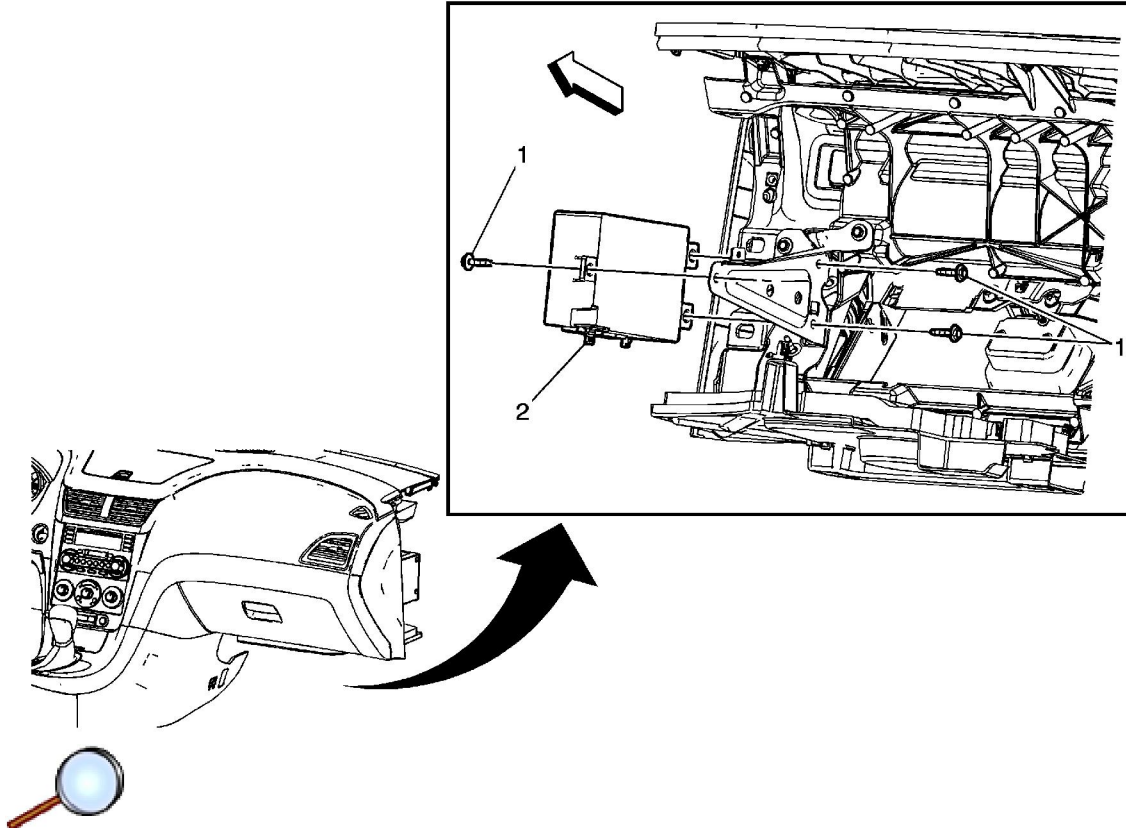


Communication Interface Module Replacement



Callout	Component Name
<p>Preliminary Procedure</p> <p>Remove the instrument panel compartment. Refer to Instrument Panel Compartment Replacement. Open Instrument panel compartment fully beyond it's stop bumpers.</p>	
<p>1</p>	<p>Communication Interface Module Bolt (Qty: 3)</p> <p>Caution: Refer to Fastener Caution in the Preface section.</p> <p>Tighten 10 N·m (89 lb in)</p>
<p>2</p>	<p>Communication Interface Module</p> <p>Procedure</p> <ol style="list-style-type: none"> 1. Disconnect the electrical connections. 2. If replacing the communication interface module be sure to transfer Bluetooth antenna, if equipped. 3. For programming and set up procedures, refer to Control Module References.